



clinic air

a new concept in dental compressors



Innovative compressors for:

- dentists
- dental technicians
- scientific laboratories
- podiatrists
- veterinarians
- dental clinics
- clean rooms

MADE IN ITALY

AXXER[®]

Oil
FREE





▶ ABOUT US

At the center of excellence

Gentilin Air Compressors was founded 30 years ago in Trissino (Vicenza - Italy), a region particularly known in Europe and throughout the world for its superior standards in mechatronics. In just a few years, the company became the region's benchmark of excellence for the manufacturing, development and distribution of compressed air tools. The company is proud to distinguish itself for the quality of its production, which is the outcome of intense and ongoing technological breakthroughs carried out by its very own R&D resources. Experience, specialization and a pinch of Italian ingenuity are the ingredients that have taken Gentilin Air Compressors products well beyond the top of every product category – they have made these products one of a kind! Having secured over the years a series of international patents, Gentilin-branded products possess features that are mechanically unique, and that decisively puts them in a class of its own for efficiency, longevity and low-noise operation.

Service is not optional

From concept design to product delivery. From Italy to the world. The mission of Gentilin Air Compressors does not stop with its commitment to innovation and the resulting final product. A fundamental aspect of its philosophy is to assist customers and end users in all of their needs. For this reason the company boasts a robust team of technical, logistical and product support specialists capable of adapting its products and services to the specific requirements of each client. At Gentilin Air Compressors a crucial approach to after-sales service is that the customer will never need adapt to the supplier. It is in this spirit that the company has become established in Europe, United States, Latin America and Asia, and has created a network of over 100 distributor with an extensive domestic and international reach.



ALONGSIDE YOU

INNOVATION

Our engineers use the latest technologies to design, develop and market the unique products that make GENTILIN COMPRESSORS a success. The R&D department has always been a focal point in GENTILIN COMPRESSORS, where cutting-edge ideas are initially conceptualized and later brought to pass.

EXPERIENCE

GENTILIN COMPRESSORS has decades of experience in the production of oil-free air compressors. The products offered to its clients have been extensively tested and used for thousands of the most demanding applications in various sectors throughout the world.

ATTENTION TO DETAILS

All process, from production to worldwide distribution of the products, undergo a systematic quality control process to guarantee the utmost performance. Attention to details is what has made GENTILIN COMPRESSORS products unique, reliable and internationally recognized.



OUR COMPRESSORS ARE UNIQUE

During normal daily operations, especially in sensitive settings such as scientific labs, as well as medical and dental offices, it is crucial not to have equipment malfunction and failure. Interruptions of this nature adversely impact quality, timing, and cost – essential elements in today’s highly competitive market. For this reason Gentilin tends to be a source of information in a segment increasingly large and elaborate, where it becomes all too easy to get lost among its numerous and diverse options. Gentilin wants to make sure that your choice of the right compressor goes beyond the ordinary data you find on paper.

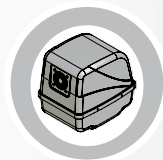


OUR 9 SELLING POINTS



62-64 Dba:

EXCEPTIONAL LOW NOISE ACROSS THE BOARD, INCLUDING STANDARD MODELS



A FURTHER DROP OF 10-15 Dba BY MEANS OF NOISE REDUCTION FEATURES



PATENTED TECHNOLOGY AND LOW MAINTENANCE



EFFICIENCY +20% INCREASED AIR DELIVERY



CONTAMINATION-FREE AIR WITH FILTERS UP TO 0,01 micron



100% DUTY CYCLE CONTINUOUS OPERATION



8/10 BAR OPERATION



LOW-ABSORPTION MOTORS - NO OVERHEATING CONCERNS



3 YEARS WARRANTY



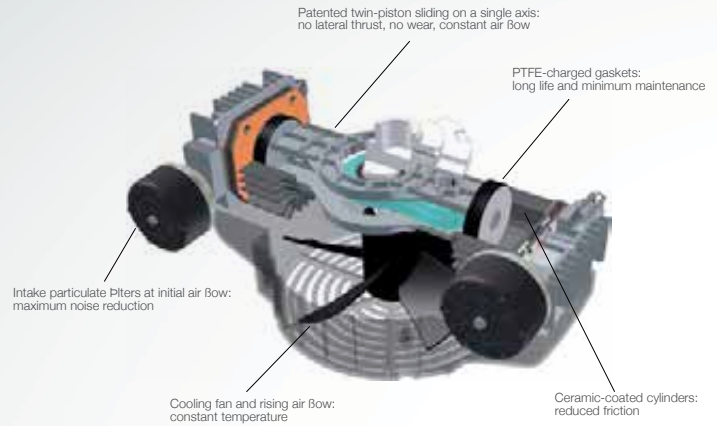
AXXER[®], a more natural, silent and high efficiency movement.

AXXER[®] (AXial Elements Rotation) is an innovative system of counterposed pistons that revolutionizes traditional mechanics: a two-head single piston concept. AXXER[®] technology is the only piston mechanism in the world conceptually designed and produced for oil-free operation, that is, without lubricating oil. As such, it affords CLINIC AIR products to exhibit unique features:

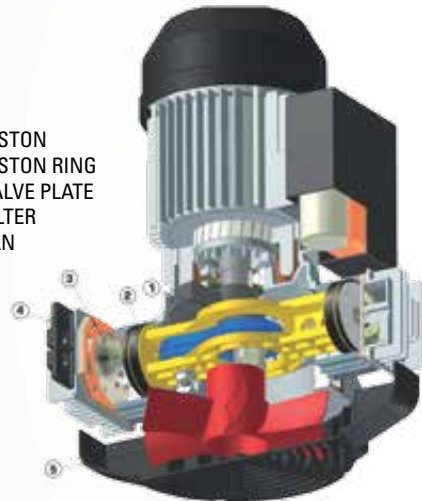
- Low temperature operation
- Greatly reduced maintenance
- An additional 20% efficiency
- A 10% energy consumption use
- Lower noise levels
- Perfect ignition timing, as well as powerful and constant air flow
- 5.000 hours of continuous operation

The AXXER[®] technology single piston with two heads slides axially inside aluminium cylinders that are coated with OXYD ceramic, thereby drastically reducing lateral thrusts and subsequent wear-and-tear. There is no other such solution that guarantees low stress load for the motor, strong and constant air flow as pressure increases, and low-voltage starts.

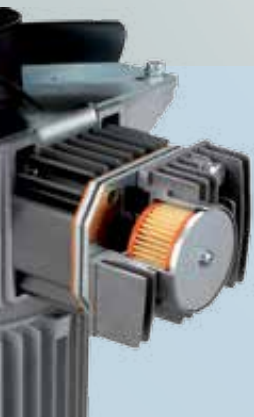
These advantages translate into an enduring compressor and a greatly reduced need for maintenance. The oil-free CLINIC AIR compressors with AXXER[®] technology have no equals in the market: efficient, reliable, low-noise, constant air flow, and suitable for intensive use.



1. PISTON
2. PISTON RING
3. VALVE PLATE
4. FILTER
5. FAN



THE PATENT



The technology employed in CLINIC AIR compressors carries over to other components of our compressors. The air intake filters are certainly used to remove particulate matter and various other air pollutants, as intended. In addition, they lower the noise level associated with the intake phase of the air flow.



As well, the pumping mechanism is completely sealed or "airtight." This further contributes to reduce noise without having to resort to sound proof enclosures.




Low Noise - Single Cylinder / Pick-Up 60



THE IDEAL
BACK-UP
UNIT FOR ANY
DENTIST



clinic air
a new concept in dental compressors


Units	 1 Chair	Noise	72 dB STANDARD
Tank	5 LT 1,32 GAL	Air delivered	60 L/MN a 5 BAR 2,20 CFM

CLINIC 1

Low Noise - Single Cylinder / Clinic 1.24



SILENT BOX

Units	 1 Chair	Noise	62 dB STANDARD 52 dB SILENT BOX
Tank	24 LT 6,34 GAL	Air delivered	72 L/MN a 5 BAR 2,60 CFM


Low Noise - Single Cylinder / Clinic Dry 1.24



SILENT BOX



ABSORPTION
5 micron filter

Units	 1 Chair	Noise	62 dB STANDARD 52 dB SILENT BOX
Tank	24 LT 6,34 GAL	Air delivered	72 L/MN a 5 BAR 2,60 CFM

CLINIC 3

Low Noise - Twin-Cylinder Clinic 3.24

100% DUTY CYCLE



SILENT BOX



COMFORT CABINET

Units



2+1 Chairs

Noise

64 dB STANDARD
54 dB SILENT
52 dB COMFORT

Tank

24 LT
6,34 GAL

Air delivered

150 L/MN at **5** BAR
5,30 CFM

Low Noise - Twin-Cylinder Clinic 3.50

100% DUTY CYCLE



SILENT BOX



COMFORT CABINET

Units



2+1 Chairs

Noise

64 dB STANDARD
54 dB SILENT
52 dB COMFORT

Tank

50 LT
13,21 GAL

Air delivered

150 L/MN at **5** BAR
5,30 CFM

Low Noise - Twin-Cylinder Clinic Dry 3.24

100% DUTY CYCLE



SILENT BOX



COMFORT CABINET

DRYER



ABSORPTION
5 micron filter

Units



2+1 Chairs

Noise

64 dB STANDARD
54 dB SILENT
52 dB COMFORT

Tank

24 LT
6,34 GAL

Air delivered

150 L/MN at **5** BAR
5,30 CFM

Low Noise - Twin-Cylinder Clinic Dry 3.50

100% DUTY CYCLE



SILENT BOX



COMFORT CABINET

DRYER



ABSORPTION
5 micron filter

Units



2+1 Chairs

Noise

64 dB STANDARD
54 dB SILENT
52 dB COMFORT

Tank

50 LT
13,21 GAL

Air delivered

150 L/MN at **5** BAR
5,30 CFM



Low Noise - Twin-Cylinder / Clinic Dry 3.24 H/HS

100% DUTY CYCLE



SILENT BOX

COMFORT CABINET



MEMBRANE FILTERS:

3+0,01 micron

Units



2+1 Chairs

Noise

64 db STANDARD

54 db SILENT

52 db COMFORT

Tank

24 LT

6,34 GAL

Air delivered

140 L/MN at **5** BAR

5 CFM

Low Noise - Twin-Cylinder / Clinic Dry 3.50 H/HS

100% DUTY CYCLE



SILENT BOX

COMFORT CABINET



MEMBRANE FILTERS:

3+0,01 micron

Units



2+1 Chairs

Noise

64 db STANDARD

54 db SILENT

52 db COMFORT

Tank

50 LT

13,21 GAL

Air delivered

140 L/MN at **5** BAR

5 CFM

CLINIC 6

Low Noise - Four Cylinder / Clinic 6.90

100% DUTY CYCLE



COMFORT CABINET

Units



5/6 Chairs

Noise

74 dB STANDARD

Tank

90 LT

23,78 GAL

Air delivered

300 L/MN at **5** BAR

10,60 CFM

Low Noise - Four Cylinder / Clinic Dry 6.90 H/HS

100% DUTY CYCLE



COMFORT CABINET



MEMBRANE FILTERS:

3+0,01 micron

Units



5/6 Chairs

Noise

74 dB STANDARD

Tank

90 LT

23,78 GAL

Air delivered

280 L/MN at **5** BAR

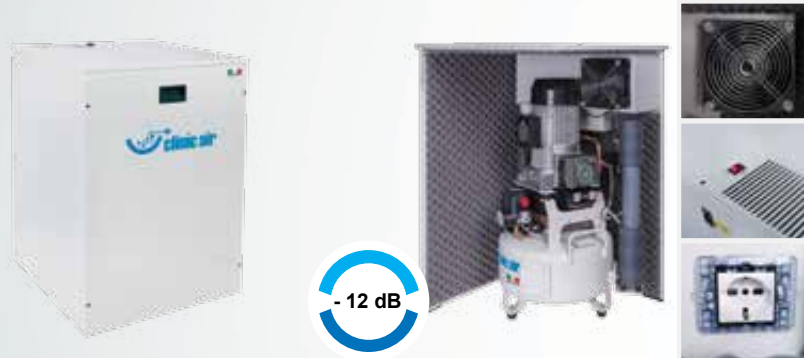
10 CFM

SILENT BOX



Model	Sizes	Noise reduction	Outside	Interior	Suitable for
Silent	80x46x42 cm	-10 dB	PVC	polyurethane phono-absorbent 3-layers	Clinic 1 - Clinic 3

COMFORT CABINETS



Model	Cod	Size	Noise reduction	Outside	Interior	Suitable for
Comfort 24	MOB/CMF24	92x60x62 cm	-12 dB	Metal	polyurethane phono-absorbent	Clinic 1 - Clinic 3



Model	Cod	Size	Noise reduction	Outside	Interior	Suitable for
Comfort 90	MOB/CMF90	120x73x87 cm	-12 dB	Metal	polyurethane phono-absorbent	Clinic 6

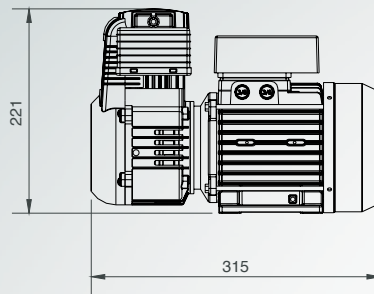
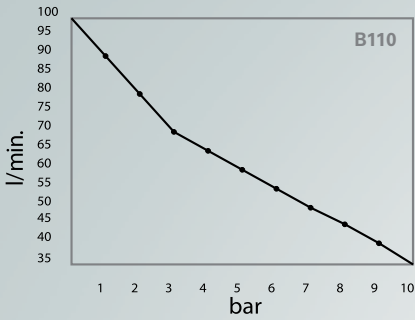
Technical Specifications

Model	Soundproof device	Power		Voltage	Chairs	RPM	Tank		Cylinders	Max pressure		Intake air (0 bar)	Air delivered (5 bar)	Noise	Filter (microm)	Sizes	Net weight	Packaging Sizes	Packaging Weight
		Kw	Hp				Lt	Gal		Bar	Psi								
Piek-Up 60	Standard	0,50	0,75	230/50	1	2800	5	1,32	1	8	116	110	60	72	/	39x42x19	11		
	Silent	0,75	1,0	230/50	1	1400	24	6,34	1	8	116	120	72	62	5	71x43x44	30	95x66x55	33
Clinic 1.24	Standard	0,75	1,0	230/50	1	1400	24	6,34	1	8	116	120	72	52	5	80x50x51	38	95x66x55	41
	Silent	0,75	1,0	230/50	1	1400	24	6,34	1	8	116	120	72	62	5	71x43x58	35	95x66x55	38
Clinic Dry 1.24	Standard	0,75	1,0	230/50	1	1400	24	6,34	1	8	116	120	72	52	5	80x64x51	43	95x66x55	46
	Silent	1,5	2,0	230/50	2+1	1400	24	6,34	2	10	145	240	150	64	5	77x41x42	37	95x66x55	40
Clinic 3.24	Standard	1,5	2,0	230/50	2+1	1400	24	6,34	2	10	145	240	150	54	5	80x50x51	45	95x66x55	48
	Comfort	1,5	2,0	230/50	2+1	1400	24	6,34	2	10	145	240	150	52	5	96x61x62	77	95x66x55	
Clinic Dry 3.24	Standard	1,5	2,0	230/50	2+1	1400	24	6,34	2	10	145	240	150	64	5	77x41x51	42	95x66x55	45
	Silent	1,5	2,0	230/50	2+1	1400	24	6,34	2	10	145	240	150	54	5	80x64x51	50	95x66x55	53
Clinic Dry 3.24 H	Standard	1,5	2,0	230/50	2+1	1400	24	6,34	2	10	145	240	140	52	5	96x61x62	50	95x66x55	45
	Comfort	1,5	2,0	230/50	2+1	1400	24	6,34	2	10	145	240	140	64	3	77x44x47	42	95x66x55	45
Clinic Dry 3.24 HHS	Standard	1,5	2,0	230/50	2+1	1400	24	6,34	2	10	145	240	140	54	3	80x63x51	50	95x66x55	53
	Comfort	1,5	2,0	230/50	2+1	1400	24	6,34	2	10	145	240	140	52	3	96x61x62	81	95x66x55	53
Clinic 3.50	Standard	1,5	2,0	230/50	2+1	1400	24	6,34	2	10	145	240	140	64	0,01	77x44x47	42	95x66x55	45
	Silent	1,5	2,0	230/50	2+1	1400	24	6,34	2	10	145	240	140	54	0,01	80x63x51	50	95x66x55	53
Clinic Dry 3.50	Standard	1,5	2,0	230/50	2+1	1400	24	6,34	2	10	145	240	140	52	0,01	96x61x62	82	95x66x55	53
	Silent	1,5	2,0	230/50	2+1	1400	50	13,21	2	10	145	240	150	64	5	91x46x61	44	110x66x55	47
Clinic 3.50	Standard	1,5	2,0	230/50	2+1	1400	50	13,21	2	10	145	240	150	54	5	94x48x61	52	110x66x55	55
	Comfort	1,5	2,0	230/50	2+1	1400	50	13,21	2	10	150	240	150	52	5	110x79x68	99	110x66x55	55
Clinic Dry 3.50	Standard	1,5	2,0	230/50	2+1	1400	50	13,21	2	10	145	240	150	64	5	91x46x61	49	110x66x55	52
	Silent	1,5	2,0	230/50	2+1	1400	50	13,21	2	10	145	240	150	54	5	94x55x61	57	110x66x55	60
Clinic Dry 3.50 H	Standard	1,5	2,0	230/50	2+1	1400	50	13,21	2	10	145	240	150	52	5	110x79x68	104	110x66x55	52
	Silent	1,5	2,0	230/50	2+1	1400	50	13,21	2	10	145	240	140	64	3	91x49x61	49	110x66x55	52
Clinic Dry 3.50 HHS	Standard	1,5	2,0	230/50	2+1	1400	50	13,21	2	10	145	240	140	54	3	94x51x61	57	110x66x55	60
	Comfort	1,5	2,0	230/50	2+1	1400	50	13,21	2	10	145	240	140	52	3	110x79x68	103	110x66x55	60
Clinic 6.90	Standard	3,1	4,2	230/50	5/6	1400	90	23,78	4	10	145	480	300	74	5	67x103x46	82	87x110x60	97
	Comfort	3,1	4,2	230/50	5/6	1400	90	23,78	4	10	145	480	300	62	5	120x73x87	82	120x73x87	97
Clinic Dry 6.90 H	Standard	3,1	4,2	230/50	5/6	1400	90	23,78	4	10	145	480	280	74	3	75x103x48	85	87x110x60	100
	Comfort	3,1	4,2	230/50	5/6	1400	90	23,78	4	10	145	480	280	62	3	120x73x87	85	120x73x87	100
Clinic Dry 6.90 HHS	Standard	3,1	4,2	230/50	5/6	1400	90	23,78	4	10	145	480	280	74	0,01	75x103x48	90	87x110x60	100
	Comfort	3,1	4,2	230/50	5/6	1400	90	23,78	4	10	145	480	280	62	0,01	120x73x87	90	120x73x87	100

Technical specs subject to change without notice



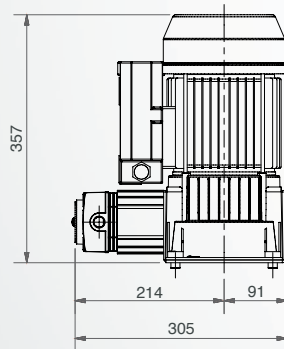
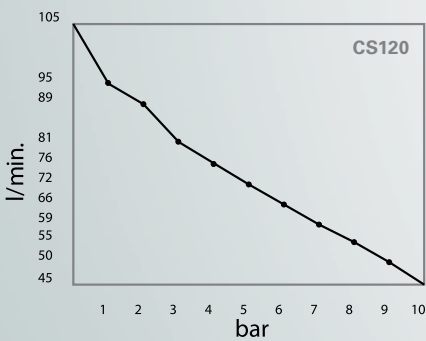
B110



Model	Power	Voltage	RPM	Cylinders	Class	Max pressure	Intake air (0 bar)	Air delivered (5 bar)	Noise	Net weight	Dimensions
	Kw	V/Hz/Va	rpm	n°		Bar	L/min	L/min	dB (A)	Kg	(LxHxW)mm
B110	0,75	230/50	2800	1	S3-70% ON	10	110	60	72	6,5	315x221x135

Other voltages available on request: 110v/60Hz - 110v/50Hz - 230v/60Hz

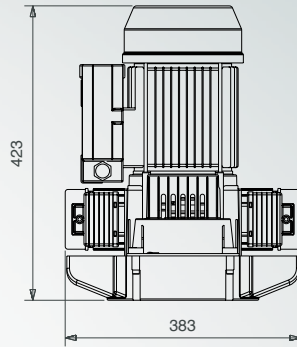
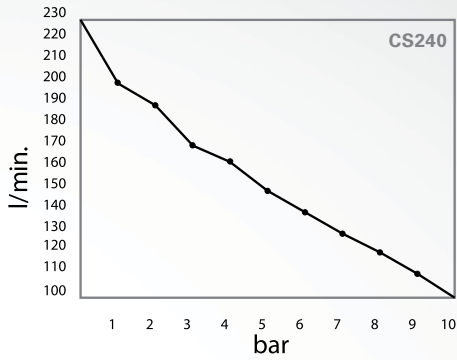
CS120



Model	Power	Voltage	RPM	Cylinders	Class	Max pressure	Intake air (0 bar)	Air delivered (5 bar)	Noise	Net weight	Dimensions
	Kw	V/Hz/Va	rpm	n°		Bar	L/min	L/min	dB (A)	Kg	(LxHxW)mm
CS120	0,75	230/50	1400	1	S3-70% ON	8	120	72	62	15	305x357x228



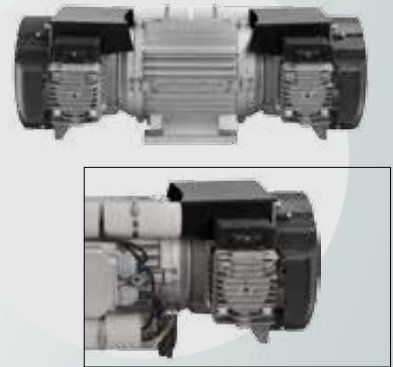
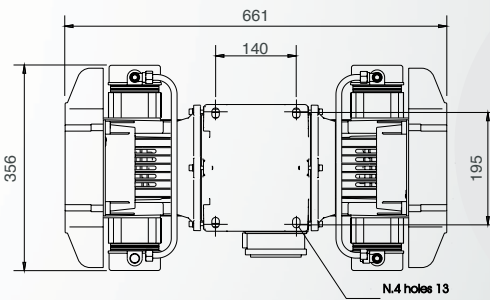
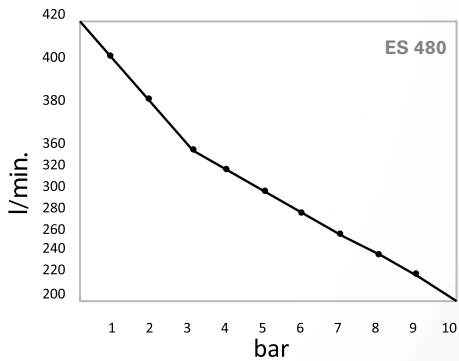
CS 240



Model	Power	Voltage	RPM	Cylinders	Class	Max pressure	Intake air (0 bar)	Air delivered (5 bar)	Noise	Net weight	Dimensions
	Kw	V/Hz/Va	rpm	n°		Bar	L/min	L/min	dB (A)	Kg	(LxHxW)mm
CS240	1,5	230/50	1400	2	S1 - 100% ON	10	240	150	64	22	383x423x228

Other voltages available on request: 110v/60Hz - 110v/50Hz - 230v/60Hz

ES 480



Model	Power	Voltage	RPM	Cylinders	Class	Max pressure	Intake air (0 bar)	Air delivered (5 bar)	Noise	Net weight	Dimensions
	Kw	V/Hz/Va	rpm	n°		Bar	L/min	L/min	dB (A)	Kg	(LxHxW)mm
ES480	3,1	230/50	1400	4	S1 - 100% ON	10	480	300	72	42	661x356x233
ES480	3,1	380/50	1400	4	S1 - 100% ON	10	480	300	72	42	661x356x233



CLINIC AIR DRYING SYSTEMS

A fundamental requirement of dentistry professionals is to work with air flow that is both dry and clean. Humid air is known to damage expensive dental equipment. However, it can also serve as a dangerous carrier of bacteria and contaminants that clearly jeopardize the health of patients. For this reason Gentilin has been especially meticulous in controlling the quality of the drying systems of the CLINIC AIR product line. Therefore, Clinic Air range is equipped with more than the standard absorption dryer. It also has a membrane dryer capable of producing medical-quality air.

THE ADVANTAGES OF THE MEMBRANE DRYER

Dew Point -20°C

- Verified at project temperature and 7 bar pressure
- Totally dry and clean air in the tank

Sterile filter (0,01 micron)

- medical-quality, bacteria-free air

3-stage filtration

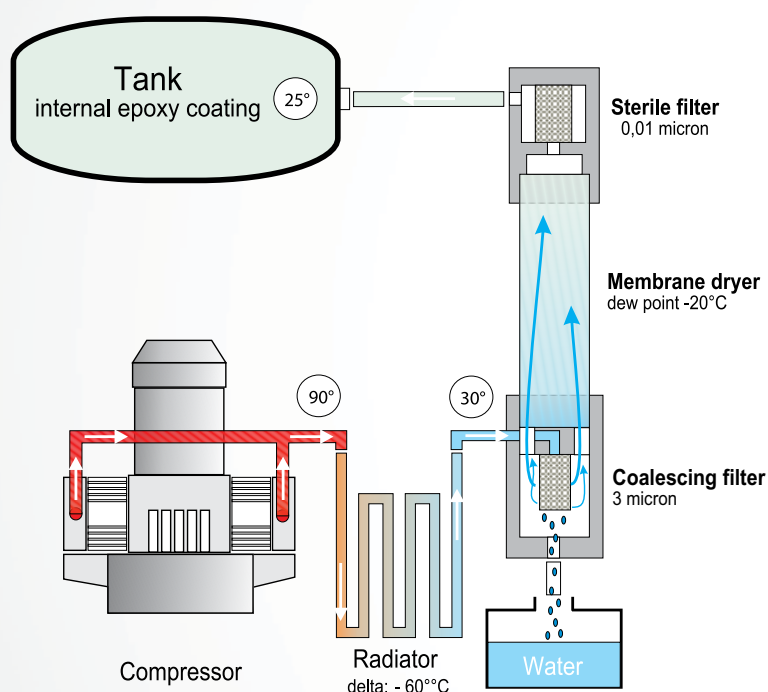
- the most advanced air purification system

100% duty cycle

- no down time, continuous operation

Self-regenerating drying membrane

- maintenance-free
(only pre-filtering device to be replaced periodically)



HIGHLY RESISTANT
TO THE STRESS OF
THE PRESSURE CYCLES



HIGHLY RESISTANT TO
VIBRATIONS



STERILISATION POSSIBLE
IN AUTOCLAVE AT
120°C (20-30 MIN.)



Filtration					Microns
0.001	0.01	0.1	1	10	100
	tobacco smoke				
			particles		
	coal dust				
	combustion				
	gas			pollens	
		pigments			
		insecticides			
			aerosol		
viruses					
		bacteria			
		spores			

Filtration parameters of various contaminants

Why sterile air?



Dental offices and scientific laboratories increasingly require that compressed air is not only dry and generally clean – but that it would also be sterile. That is, air flow free of contaminants such as bacteria, viruses, spores, airborne pollutants, and dust particles. Models H and HS provide this demanding degree of air quality thanks to an advanced membrane dryer as well as 3 micron filters for H models and 3+0.01 microns for HS models.

CLINIC AIR's sterile filter consists of HEPA-certified micro fibers of borosilicate glass, and it ensures the removal of 99.9999% of liquid or gaseous contaminants.



Absorption dryer with drying silica gel

This is the standard dryer in the CLINIC AIR product line. It is compact and reliable, and it affords the production of dry and clean air, as well as the removal of condensation.

- » Dew point: -20°C
- » Standard filtration: 5 micron
- » Drying gel automatic regeneration during compressor's shutdown

The absorption dryer is reliable, compact and low-cost. It is based on the principle of alternating work between the compressor and the dryer. An important advantage is in the compressor's ability to maintain a steady performance during the time in which the dryer is operative. It does not require additional maintenance but the replacement of the drying gel either every two years, or after 2000 hours of operation.

Self-regenerating dryer with sterile filter

This is the top of the line of CLINIC AIR's dryers, and it is furnished as standard equipment on Models H and HS. This dryer provides more than merely dry and generically clean air. Given its unique 3-stage filtration system, it also provides medical-quality air with the removal of bacteria, spores, viruses, air pollutants, dust particles and other contaminants.

The heart of the self-regenerating membrane drying process is a sophisticated 3-stage air filtering system:

- » **1st level:** coalescing filtration, 3 micron for an advanced separation of air and water
- » **2nd level:** self-regenerating membrane drying process with continuous duty cycle (dew point - 20° C)
- » **3d level (HS models only):** sterile filtration 0,01 micron for medical-quality air

CLINIC AIR's sterile filter consists of HEPA-certified micro fibers of borosilicate glass, and it ensures the removal of virtually every contaminant. Given its self-regenerating nature, it is unnecessary to replace or service.



1/2 HP Compressors

COD. 84045
COD. 84403
COD. 84402

4 HP Compressors

COD. 84045/1
COD. 84405
COD. 84404



Coalescing filter

84039



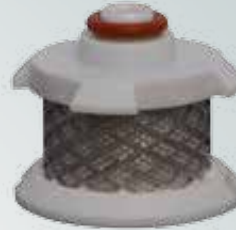
Particles

3 μm

For H/HS models Clinic Dry

Sterile filter

84023



Particles

0,01 μm

For H/HS models Clinic Dry

Automatic separator filter

83126



Particles

20 μm

Efficiency

95%

Automatic Draining

Replacement cartridges available (9251709)

Automatic separator filter

83128



Particles

20 μm

Efficiency

95%

Automatic Draining

Replacement cartridges available (9251709)

Silica Gel

84053/1



For models Clinic Dry

Tank autodraining kit

84208



Paper air filter

83045/1





CONDOR MDR2

226468



230/110 Volt

50/60 Hz

F4-1/4

CONDOR MDR3

270003



230 Volt

50/60 Hz

F4-3/8

CONDOR MDR3

272014



380 Volt

50/60 Hz

F4-1/4

Non-return valve

83026/1



1= 3/8 M

2= 3/8 M

3= 6 mm

Non-return valve

83026/2



1= 3/8 M

2= 3/8 M

3= 6 mm

Safety valve

82098



1/4 M

11 bar

PICK-UP

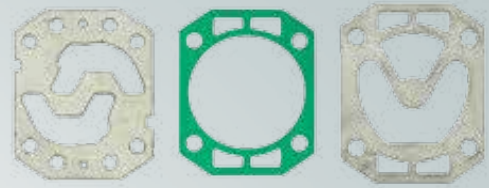
87200



- 1x Cylinder gasket
- 1x Head gasket
- 1x PTFE piston ring

CLINIC 1 (CS120)

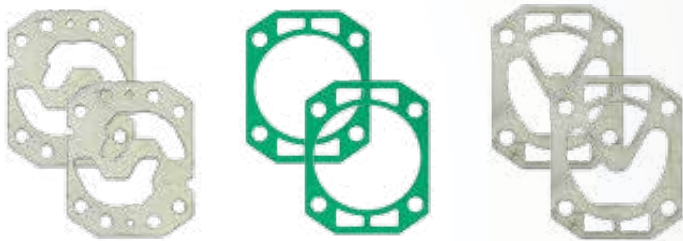
84301



- 1x Cylinder gasket
- 1x Head gaskets
- 1x Head gaskets

CLINIC 3 (CS240)

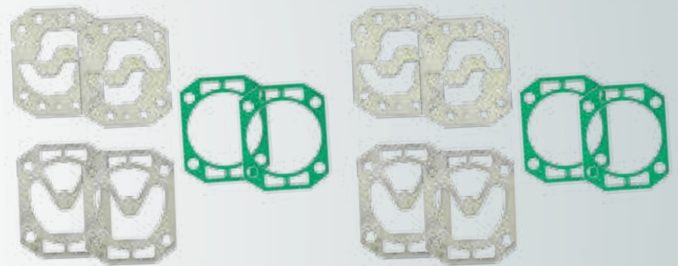
84300



- 2x Cylinder gasket
- 2x Head gaskets
- 2x Head gaskets

CLINIC 6 (ES480)

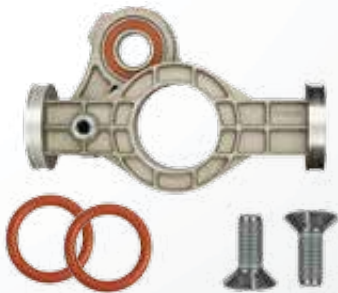
86201



- 4x Cylinder gasket
- 4x Head gaskets
- 4x Head gaskets

CLINIC 3/6 (CS240/ES480)

83210



- 1x Piston + Con-rod
- 2x Screws
- 2x O-ring



WARRANTY



CLINIC 3 AND CLINIC 6: 3 years
CLINIC 1: 2 years
ANY OTHER PRODUCT: 1 years

Total quality and after sales service.

When we speak of quality, we mean quality that goes well beyond our unrivaled line of CLINIC AIR compressors that come out of the assembly line. Gentilin's quality is actually "total quality" that is comprised in everything that we do. Each function of our organization is quality-oriented, from research&development to sales administration and after sales service: that is, Gentilin total quality in comprised in every aspect of our life, from concept to delivery and more.

Notes



Notes

clinic air

by Gentilin

Factory and Head Quarter:
Via delle Tezze, 20/22
36070 Trissino (VI) ITALY

T +39 (0)445 962000

F +39 (0)445 491412

T +39 (0)322 836126

F +39 (0)322 836126

info@gentilincompressors.com
www.clinicair.it